

## 2/2 Way Angle Type On/Off Control Valve

'T-FLOW' Offers 2/2 Way Pneumatic Cylinder Operated Investment Casting Angle Type Controls Valve. It has two working types, Normally Open & Normally Closed.

**Size Range : 1/2" to 3" Screwed / Flanged**



Model : YTFCS1811R



Model : YTFCS251S0



Model : YTFCF1811R

Actuator Specification	
Port Connection	1/4" BSP (NPT On Request)
Operating Pressure	4.5 to 7 BAR 1/2" to 2" / 5 to 7 BAR 2.1/2" to 4"
Operating Cycles	350 to 650 Cycles / Hr.
Media	Dry Lubricated Air / Inner Gases

Model Types	
Normally Close	Enegised to Open
Normally Open	Enegised to Close
Double Acting	

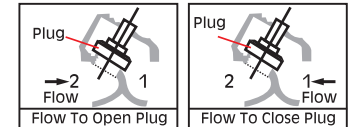
Valve Specification	
Body Test Press.	10 Bar Max. (12 Kg One Size Higher Accuator & 16 Kg Two Size Higher Actuator)
Working Pressure	Upto 10 Bar
Working Temperature	PTFE 180 °C / CFT 220°C
Leakage	Shut Off Tight / Bubble Tight
Media	Air / Water / Oil / Gas / Steam & Chemical

### Technical Specification Table

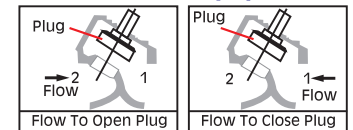
Valve Size	Orifice mm	Max. Oper. Press. Flow to Close Bar	Max. Oper. Press. Flow to Open Bar	Flow Factor Kv M3/hr	Actuator Bore MM	Air Consumption Lit. / Cycle
15	1/2"	16	16	4.2	50	0.155
20	3/4"	16	16	5.5	50	0.155
25	1"	16	16	13.5	70	0.161
32	1.1/4"	15	15	31.6	70	0.172
40	1.1/2"	15	15	31.9	70	0.172
50	2"	14	16	54.5	85	0.184
65	2.1/2"	14	16	54.5	100	0.184
80	3"	10	10	105	120	0.735

For Any Different Technical Requirement - Available On Request

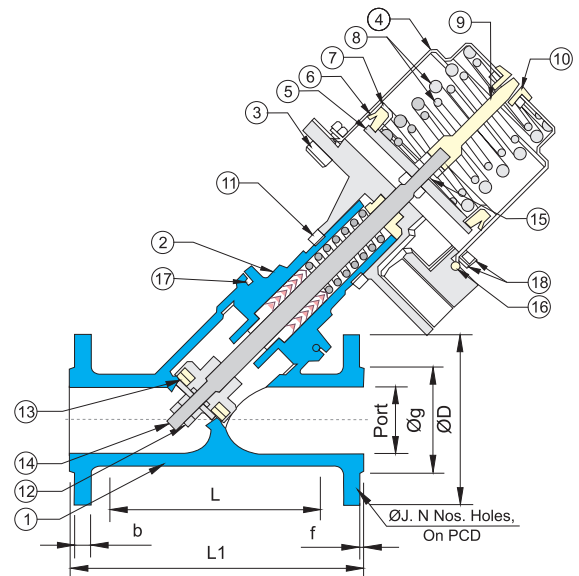
### Position in Normally Close Valve



### Position in Normally Open Valve



Sr. No.	Description	Material
1	Body	CF8 / CF8M / CF3M
2	Bonnet	CF8 / CF8M / CF3M
3	Flange	Alluminum Alloy / CF8 / CF8M
4	Cap	S. S. 304 / S. S. 316
5	Piston Flat Washer	M. S.
6	Piston V-Seal	High Nitrile / Silicon
7	Piston Cap Washer	M. S.
8	Piston Spring (RH & LH)	Spring Steel
9	Piston Indicator	Nylon
10	Piston Indicator Guide & Nut	Nylon
11	Lock Nut for Flange	M.S.
12	Lock Nut (Plug)	S. S. 304 / S. S. 316
13	Plug Washer	PTFE / CFT
14	Plug - Shaft	S. S. 304 / S. S. 316
15	O - Ring(6X1.5)	High Nitrile
16	O - Ring for Flange	High Nitrile
17	Teflon for Body (Sealing Gasket)	PTFE
18	Piston Cap Hex Bolt & Spring Washer	S. S. 304 / S. S. 316



### Dimensions :

Valve Size	L	150 Class Flange Dimensions										Flange Dimensions								
		S/E	L1	Port	ØD	b	Øg	f	ØJ	N	PCD	L1	Port	ØD	b	Øg	f	ØJ	N	PCD
15	1/2"	65	107.9	12.5	90	9	34.9	2	15.9	4	60.3	130.6	12.5	88	8	34.9	1.6	15.9	4	60.3
20	3/4"	75	117.3	17	100	8.9	42.9	2	15.9	4	69.9	151	19	98	7.5	42.9	1.6	15.9	4	69.9
25	1"	90	127	24	110	9.6	50.8	2	15.9	4	79.4	161.5	25	107.9	8.65	50.8	1.6	15.9	4	79.4
32	1.1/4"	102	139.7	30	115	11.2	63.5	2	15.9	4	88.9	---	---	---	---	---	---	---	---	---
40	1.1/2"	125	165.7	37	125	12.7	73	2	15.9	4	98.4	190	38	127	8.65	73	1.6	15.9	4	98.4
50	2"	151	178	49	150	14.3	92.1	2	19.05	4	120.7	230	49	152.4	8.65	92.1	1.6	15.9	4	120.7
65	2.1/2"	---	190.5	64	180	15.9	104.8	2	19.05	4	139.7	---	---	---	---	---	---	---	---	---
80	3"	---	203.2	75	190	17.5	127	2	19.05	4	152.4	---	---	---	---	---	---	---	---	---

(All Dimensions are in mm)



Model : YTFC1811R



Model : YTFC251SQ



Model : YTFCF251SQ



Disc Check Valve  
15mm to 250mm cf8/cf8m



Ball Float Valve  
15mm to 50mm

Diaphragm Control Valve

